

Dimensions in cm

**Mora Bench ( Any Veneer, any Brass color)**

- C.O.M \* (1,5m)
- Fabric cat I
- Fabric cat II
- Fabric cat III
- Fabric cat IV
- Fabric cat V

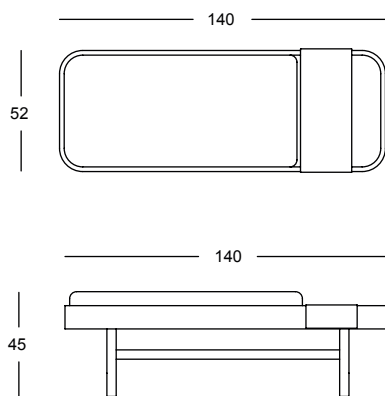
\*the fabric consumption is calculated based on fabrics 1,4 meters wide, that can be used in any direction.



The MORA line comprises a Console, a Side Table and a Low Bench. We love the lightness of these pieces, and how they allow you to conceal things. The Brass plate slides over the Natural Wood Veneer top, which is shaped like a deep tray. The feet are made of Solid Wood. These pieces are customizable, and the different colour combinations that we propose in the Technical Sheet make the MORA a very chameleonic line that fits into any room and décor style.

The cushion is filled with high density foam. Refer to our fabric catalogue to pick your upholstery or send us your own fabric.

+ info  
[www.hmdfurniture.com](http://www.hmdfurniture.com)



Choose your Metal Tray Brass Color



Choose the Veneer for the Bench Frame

Wood Veneer Options  
 Depending on the furniture piece you choose, the intensity of the varnish may vary. Sometimes it may have a more matte finish, while other times it could be shinier.



Feet

